

CANTER

FUSO

CANTER FG

4x4 / WIDE CAB / MANUAL HIGH/LOW RANGE



**OFF-ROAD TYRES, LOCKABLE FRONT HUBS AND REAR LIMITED SLIP DIFF.
CLASS LEADING TARE WEIGHT AND 30,000KM SERVICE INTERVALS.**

GVM

6,500_{KG}

GCM

10,000_{KG}

Power/Torque

110_{kW} / 370_{Nm}

- Light rigid licence required. Can be derated and driven with a passenger car licence.
- Actual product may vary from image shown.

CANTER SPECIFICATIONS

MODEL

A	4X4 FG WIDE CAB SWB 5 SP. MAN (FGB71CR6SFBG)
B	4X4 FG WIDE CAB MWB 5 SP. MAN (FGB71ER6SFBG)

WHEEL BASE

2815mm
3415mm

GVM (optional)

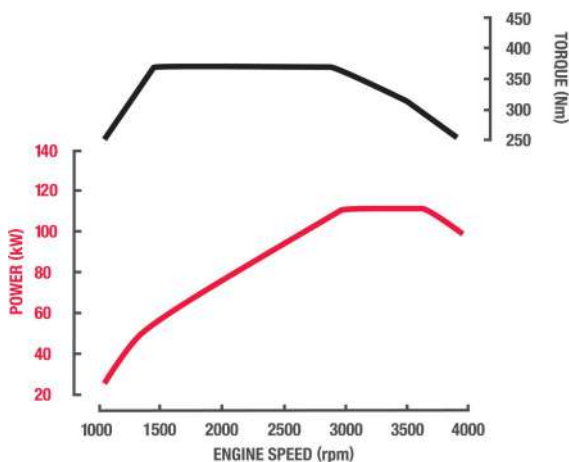
6,500kg (4,495kg)
6,500kg (4,495kg)

GCM (optional)

10,000kg (7,995kg)
10,000kg (7,995kg)

Engine

Engine Version	FUSO 4P10-T4 Diesel
Configuration	4 Cyl. In-line DOHC, 4-Valve
Injection System	Bosch Common Rail Direct Injection Bosch Piezo Technology Injectors
Type	Variable Geometry Turbo Charged Air to Air Intercooled
Displacement	3 litre (2998cc)
Bore	95.8mm
Stroke	104mm
Power (DIN)	110kW @ 2840~3500 rpm
Torque (DIN)	370Nm @ 1350~2840 rpm
Maximum Engine Speed	4100 rpm
Compression Ratio	17.5:1
Cooling System / Oil Cooler	Water cooled, 13.7L capacity/ Plate type engine oil cooler
Air Cleaner	Paper Element Type with Restrictor Indicator. Vertical Intake Mounted on Clean Air Side (RH)
Emission Control	Diesel Particulate Filter (DPF) Exhaust Dash Display DPF Status 0~9 (Empty~Full) Parked Regeneration possible from 7~9
Emission Level	ADR 80/03 - Euro 5



Fuel

Tank Type	Rectangular Steel Tank with Locking Cap
Fuel Capacity *	100 Litres
Filtration	Filter with Water Separator and Indicator Sensor
Notes	*Max Fill to approx 95% of capacity

Cooling

Fan Drive	Thermo modulated continuous control (Viscous)
Radiator	Corrugated Fin with Expansion Tank

Electrical

Voltage	12V Negative Earth
Battery Capacity	2x12V, 70Ah/5hr
Battery Specification	115D31L x2
Headlamp Type	LED
Body Builder Harness	Yes

Clutch

Clutch Model	FUSO C4W30
Type	Single Dry Plate, Direct Hydraulic Type

Transmission

Version	FUSO M038S5
Type/Speeds	5 Speed with In-Dash Gearshift Lever
Features	Synchromesh 1st-5th
Ratios	1st: 5.494 2nd: 3.038 3rd: 1.592 4th: 1.000 5th: 0.723 Rev. 5.494
PTO Opening	LH Side

4x4 Transfer

Model	FUSO TF3
No of Speeds	2
Synchromesh	No
Ratio - Low	1.987
Ratio - High	1.090

Front Axle

Axle Version	FUSO D1H
Type	Full Floating Hypoid with Constant Velocity Universal Joints
Hubs	Free Wheel, Manual Locking Type
Ratio	5.285:1
Notes	*See MAX LOADING for vehicle capacity.

Front Suspension

Type	Multi-Leaf with Double Acting Shock Absorbers
Size	1150x70mm Leaves

Rear Axle

Type	Full Floating Hypoid Type Positive Locking Limited Slip Differential (LSD).
Axle Version	FUSO D035H
Ratio	5.285:1
Notes	See MAX LOADING for vehicle capacity.

Rear Suspension

Type	Steel Suspension
Details	Multi-Leaf with Double Acting Shock Absorbers
Size Main Leaves	1250x70mm

Max Loading

Front	2800kg
Rear	5760kg
Total	6500kg

Options

Options	H31: 4495/7995kg GVM/GCM Rating
	R84: Fire Service delete power pack option - without driver & far passenger airbag, central locking or electrical front windows

Steering

Type	Integral Ball and Nut Type
Steering Column	Tilt/Telescopic Adjustable
Power Assist	Standard

FUSO

CANTER SPECIFICATIONS

MODEL

A	4X4 FG WIDE CAB SWB 5 SP. MAN (FGB71CR6SFBG)
B	4X4 FG WIDE CAB MWB 5 SP. MAN (FGB71ER6SFBG)

WHEEL BASE

2815mm
3415mm

GVM (optional)

6,500kg (4,495kg)
6,500kg (4,495kg)

GCM (optional)

10,000kg (7,995kg)
10,000kg (7,995kg)

Brakes	
Type	Hydraulic Dual Circuit with Front and Rear Drums
Size Front	320mm Diameter x 75mm Width
Size Rear	320mm Diameter x 110mm Width
Features	Auto Slack Adjusters ABS plus EBD (Electronic Brake Distribution) Exhaust Brake Brake Priority System
Park Brake	Transmission Mounted

Wheels & Tyres	
Wheel Type	7 x Disc Rims (Including Spare)
Wheel Size	17.5x6.0-127
Wheel Stud Pattern	6 Stud
Tyre Size All	215/75R17.5 124/123 (tubeless) Off-road Tyres Front and Rear (for Extra Traction)
Spare Tyre Carrier	Provided

Chassis	
Type	Reinforced Tapered Channel with Drop Shape
Size	192x60x6mm
Width	752mm
Tensile Strength	440 MPa with 540 MPa Stiffeners

Instruments	
Gauges	Speedometer with Odometer Tachometer Fuel Level Water Temperature
Colour Information Display	Fuel Consumption DPF Bar Chart from 1-9 Water Temperature Maintenance Reminder System Tripmeters

Multi-Media Package	
Satellite Navigation	Maps with heavy vehicle weight, length, height & hazardous material selectable restrictions with 3 years of Map updates
Colour Display	8 inch LCD with touch screen control
Phone Connectivity	Bluetooth® hands free + Apple & Android wireless connection compatible
Audio Visual Entertainment	Bluetooth® music streaming compatible Digital radio DAB+ (also AM/FM for areas not covered by DAB+) & USB
Reversing Camera Compatible	1 Reverse Camera fitted as standard Display can accept up to 5 additional cameras#
Optional Accessories (available at additional cost)	Rear Mounted Parking Sensor Kit High or Low Tyre Pressure Monitoring System
Notes	# Cameras available through spare parts

Standard Features	
Airbag(s)	Dual Air Bags and Seat Belt Pre-Tensioners (Driver & Far Side Passenger)
Cruise Control	No
Hill Start System	Yes
Cab Cooling & Heating	Air Conditioner / Heater / Demister
Accessory Power	12V Accessory Power Outlet / Cigar Lighter
Driving	Fuso Multimedia Unit Keyless Central Locking Electric Windows Cup Holders 2 3 seats
Storage	Dual Overhead Storage Pockets In-Dash Centre Document Storage Door Storage Pockets Dash Storage Tray (1 DIN) Coat Hooks
Cab: External	Front End-Outline Marker Lamps Door Side Impact Beams
Chassis	Reverse Warning Buzzer Factory Reverse Camera with Infrared Display and Audible Pickup (Supply only in Cabin with Cab Chassis)

Cab Features	
Cab Structure	ECE-R29 European Cab Strength Approved
Mounting	Hydroelastic 4 Point
Additional Engine Access	Removable Engine Access Panel
Colour	Natural White
Windscreen Wipers	2 Speed + Intermittent Cycle with Integrated Washer Nozzles
Rear Vision Mirrors	1 x Internal 2 x External Convex (ECE 46) - Heated
Seating Capacity	3
Seat Belts	Lap Sash Belts for Outside Seating Positions Lap Belt for Centre Seat Driver Seat Belt Warning
Seat (driver)	Suspended with Weight Adjustment, LH Arm Rest and Lumbar Support
Seats (passenger)	Flat Folding, 2 Passenger Bench

Service Intervals	
Interval*	30,000km or 12 Months (whichever occurs first)

Warranty	
Basic/Powertrain	5 Years or 200,000kms (whichever occurs first)
Cab Perforation/Anti Corrosion	5 Years
Notes	* based on normal operating conditions and may be reduced when operating under severe conditions.

Performance		
Turning Circle (kerb to kerb - metres)	A 10.4	B 12.2
Road Speed (km/h) at Max Engine Speed	123	
Engine Speed (rpm) at 100km/hr (top gear)	2957	
Startability at Rated GVM (theoretical)*	51%	
Gradeability at Rated GVM (theoretical)*	60%	
Notes	*This is theoretical performance only. Actual performance may vary under different conditions	

CANTER SPECIFICATIONS

MODEL

A	4X4 FG WIDE CAB SWB 5 SP. MAN (FGB71CR6SFBG)
B	4X4 FG WIDE CAB MWB 5 SP. MAN (FGB71ER6SFBG)

WHEEL BASE

2815mm
3415mm

GVM (optional)

6,500kg (4,495kg)
6,500kg (4,495kg)

GCM (optional)

10,000kg (7,995kg)
10,000kg (7,995kg)

Mass estimated*

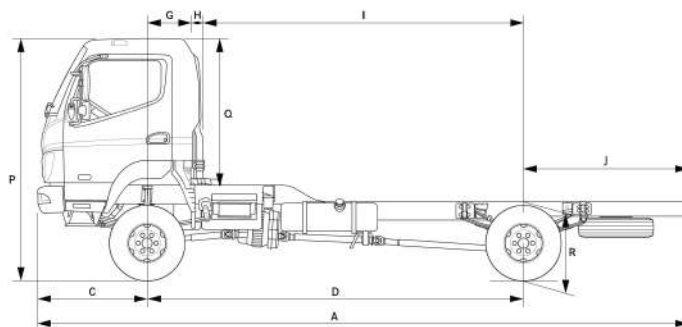
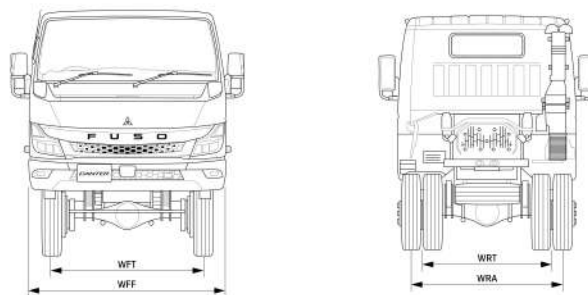
Front*	A	B
	1660kg	1785kg
Rear*	A	B
	790kg	885kg
Total*	A	B
	2450kg	2670kg
Notes	* Mass (est.) includes oil and water but excludes spare wheel, tools & fuel. Weights provided are subject to 3.5% variation (+/-)	

Dimensions mm

WFF (Width Front Fender) (mm)	1995	
WRA (Width Rear Axle) (mm)	2030	
WRT (Width Rear Track) (mm)	1560	
Width Frame (mm)	750	
A - Length Overall (mm)	A	B
	5190	5935
C - Front Overhang (mm)	1125	
D - Wheelbase (mm)	A	B
	2815	3415
G - Front Axle to Rear of Cab (mm)	540	
H - Rear of Cab to Rearmost Item Behind Cab (mm)	81	
I - Rearmost Item Behind Cab to Rear Axle (mm)	A	B
	2194	2794
J - Frame, Rear Axle to End (mm)	A	B
	1195	1395
O - Air Intake to Cab Roof (mm)	184	
P - Height Cab to Ground (mm)	2475	
Q - Height Cab to Frame (mm)	1504	
R - Height Rear Frame to Ground (mm)	881	

Body Builder's Notes

Notes	Chassis reinforcement must be utilised for Tipper/ Demountable type body configurations. To conform with ADR 13/00 and 14/02 (lighting/mirror requirements) the following must be adhered to at body installation. - If overall width exceeds 2.1 metres and other than flat type or tipper body is fitted, rear end-outline markers must be installed. - If overall length exceeds 6.0 metres, side reflectors must be installed. - If overall length exceeds 7.5 metres and width exceeds 2.1 metres, side marker lamps must be installed. - If overall width is less than 2.2 metres, the mirrors must be modified to project not more than 230mm. To conform with ADR 42/04 (General Safety), rear wheel guards must be fitted to the vehicle.
-------	--



Call 1800 033 557

or visit fuso.com.au

Unless specified in writing herein the accessories, applications, bodies or equipment depicted in this are for illustration purposes only and may not be available from Daimler Truck Australia Pacific Pty Ltd. ABN 86 618 413 282 DTAuP. No representation or warranty whatsoever is given in relation to any accessories, applications, bodies or equipment or suitability of same that are shown herein that may be manufactured, supplied or fitted by a party other than DTAuP. DTAuP reserves the right without notice or obligation to discontinue or make changes to the colour, designs, materials and specifications of the products and options referred to herein at any time. For the most current information and in order to ascertain which accessories, applications, bodies and equipment are available from DTAuP please contact your authorised FUSO dealer. Fuso is a registered trademark of Daimler Truck Australia Pacific Pty Ltd. Copyright DTAuP. Reproduction in whole or part prohibited without written approval. Valid from 20-Mar-24.